

# Single-Port Multi-Gigabit 802.3bt PoE++ Injector (60W/90W)

## Quick Installation Guide

### Packing List

Please check the following items after unpacking, if any missing, please contact your local dealer.

Items	Quantity
PoE Injector	1
AC Power Cable	1
Mounting Accessory	1
Quick Installation Guide	1

### Product Overview

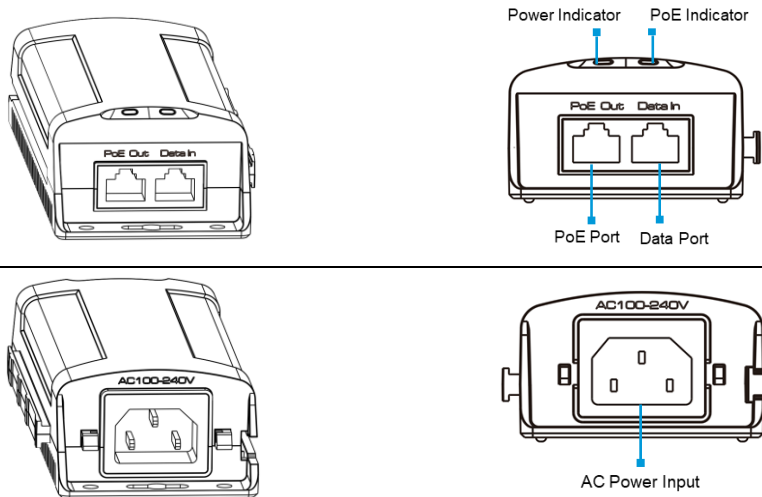
This series contains the following types:

- Single-Port Multi-Gigabit 802.3bt PoE++ Injector (60W)
- Single-Port Multi-Gigabit 802.3bt PoE++ Injector (90W)

The PoE injector is designed for where standard PoE is difficult to deploy. It is plug and play, easy to install without software configuration required, just plug in AC power cord and Ethernet cable to provide high-speed network communication and IEEE 802.3bt PoE++. It can be widely used as power supply for IPC, AP and other equipment.

### Appearance

#### Appearance



### Indicator

Indicator	Color	Status	Description	
PWR indicator	Red	Solid On	The power is on.	
		Off	The power is off.	
PoE indicator	Red	Solid On	The PoE output is 60-90W.(60W Injector does not have this status)	
		Orange	Solid On	The PoE output is 30-60W.
		Green	Solid On	The PoE output is 0-30W.

### Specifications

Items	Single-Port Multi-Gigabit 802.3bt PoE++ Injector (60W)	Single-Port Multi-Gigabit 802.3bt PoE++ Injector (90W)
Hardware specifications		
Interface	1*10/100/1000/2.5GBASE-T PoE++ RJ-45(Auto-MDI/MDI-X) 1*10/100/1000/2.5GBASE-T RJ-45(Auto-MDI/MDI-X)	
Input Voltage	100~240V AC	
Power Consumption	≤0.6W(System)	
LED Indicator	1*power indicator 1*PoE indicator	
Dimensions (L*W*H)	160mm*64mm*37mm	
Net Weight	0.24kg	0.28kg
Material	ABS plastic	
Color	Black	
Noise	≤40dB	
PoE		
PoE Standard	IEEE 802.3af/at/bt	
PoE Power Supply Type	Midspan	
PoE Pin Assignment	3/6/4/5(+), 1/2/7/8(-)	
PoE Budget	60W max	90W max
Reliability		
EMC	IEC61000-4-2, Level 3: Contact Discharge: ±6kV, Air Discharge: ±8kV	
	IEC61000-4-3, Level 2: 3V/m	
	IEC61000-4-4, Level 2: 1kV	
	IEC61000-4-5, Line to earth: 6kV	
Operating	-5°C~45°C, 5%~85%(Non-condensation)	
	Storage	
-30°C~70°C, 5%~85%(Non-condensation)		

**Caution**

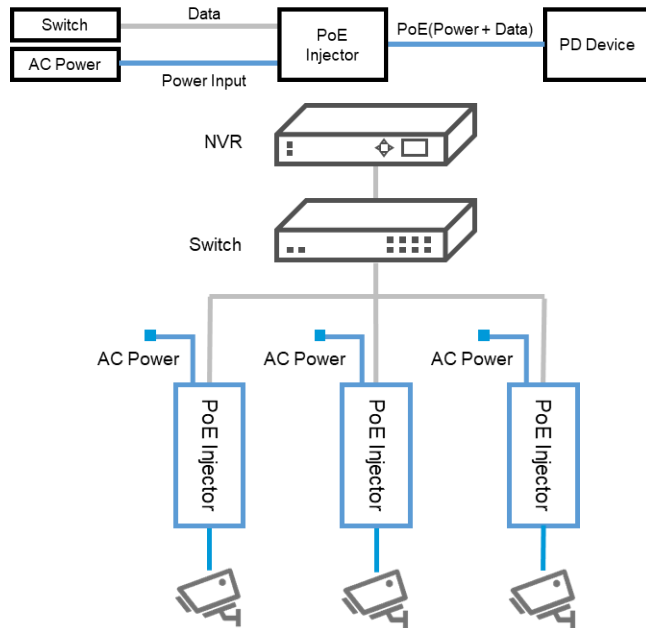
Please find the following solution when the device doesn't work. Please confirm if the installation is correct:

- Please confirm if the RJ45 cable order complies with the EIA/TIA568A or 568B industry standards.
- Please do not connect the network device which consumption exceeds the maximum output consumption of the port.
- Please replace the failure device with a normal one to check if the device is broken.
- If the problem still exists, please contact the factory.

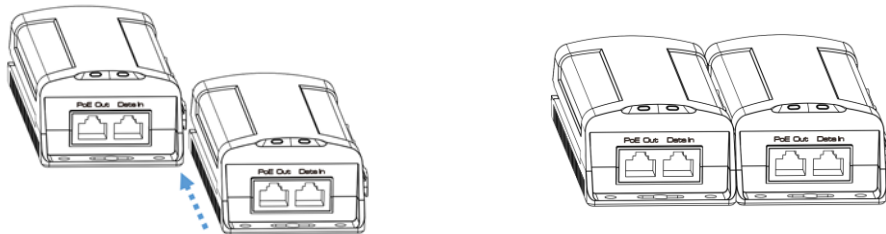
**Installation**

- 1) Turn off the system's power before the installation.
- 2) Connect the PoE Port of the injector with IP Camera. And connect data port of the PoE injector with switch. Then connect the AC power.

**Applications**



- 3) The injector can be combined with each other by the bayonet.



Version: V1.01, updated 2023-09-27.

The information in this document is subject to change without notice.

Every effort has been made in the preparation of this document to ensure accuracy of the contents, but all statements, information, and recommendations in this document do not constitute a warranty of any kind, express or implied.